

NOTES:
 1.) ALL FITTINGS SHALL INCLUDE RESTRAINT GLANDS: USE ROMAC RESTRAINT FOR PVC. USE ROMAC OR MEGALUG RESTRAINT FOR DIP.
 2.) CONCRETE THRUST BLOCKS TO BE POURED AGAINST UNDISTURBED EARTH.
 3.) PLASTIC BARRIER SHALL BE PLACED BETWEEN ALL CONCRETE AND PIPE AND/OR FITTINGS.
 4.) ANCHOR BAR SHALL BE 5/8" MINIMUM DIAMETER.
 5.) RODDING FOR A CONCRETE REVERSE KICKER SHALL BE AS FOLLOWS: 4" USE 2 RODS, 6"-10" USE 4 RODS & 12" PER ENGINEER.
 6.) FITTINGS SHALL BE INSTALLED AS REQUIRED PER WSB INSPECTOR.

90° BENDS												
SIZE	2	4	6	8	10	12	14	16	18	20	24	30
"D"	6	8	8	10	12	14	22	22	24	24	30	30
"L"	16	20	24	30	32	34	68	68	80	80	96	120
"W"	8	10	12	18	22	24	34	34	40	40	48	60
"T"	10	12	16	20	22	22	38	38	40	40	44	52

45° BENDS												
SIZE	2	4	6	8	10	12	14	16	18	20	24	30
"D"	6	6	8	10	12	12	22	22	24	24	30	30
"L"	14	18	18	22	24	24	51	51	60	60	72	90
"W"	8	10	12	16	18	18	25	25	29	29	36	44
"T"	10	12	16	18	18	18	38	38	40	40	44	52

22 1/2" & 11 1/4" BENDS												
SIZE	2	4	6	8	10	12	14	16	18	20	24	30
"D"	6	10	14	18	20	20	22	22	24	24	30	30
"L"	20	24	28	28	28	28	36	36	42	42	54	66
"W"	18	20	22	24	24	24	18	18	21	21	24	31
"T"	12	14	16	18	18	18	38	38	40	40	44	52

TEES, PLUGS & BLOWOFFS												
SIZE	2	4	6	8	10	12	14	16	18	20	24	30
"D"	12	16	18	24	28	30	30	30	30	30	30	36
"L"	12	16	18	24	28	30	60	60	72	72	84	102
"W"	14	16	18	18	22	24	28	28	32	32	40	51
"T"	10	10	12	12	12	12	38	38	40	40	44	52

*ALL DIMENSIONS ARE IN INCHES

MINIMUM CONCRETE BLOCKING FOR PIPE & FITTINGS



SCALE: NOT TO SCALE

DATE: 12-27-2024

DWG NO.: WD2

DESIGNED: WCD

DRAWN: BCP

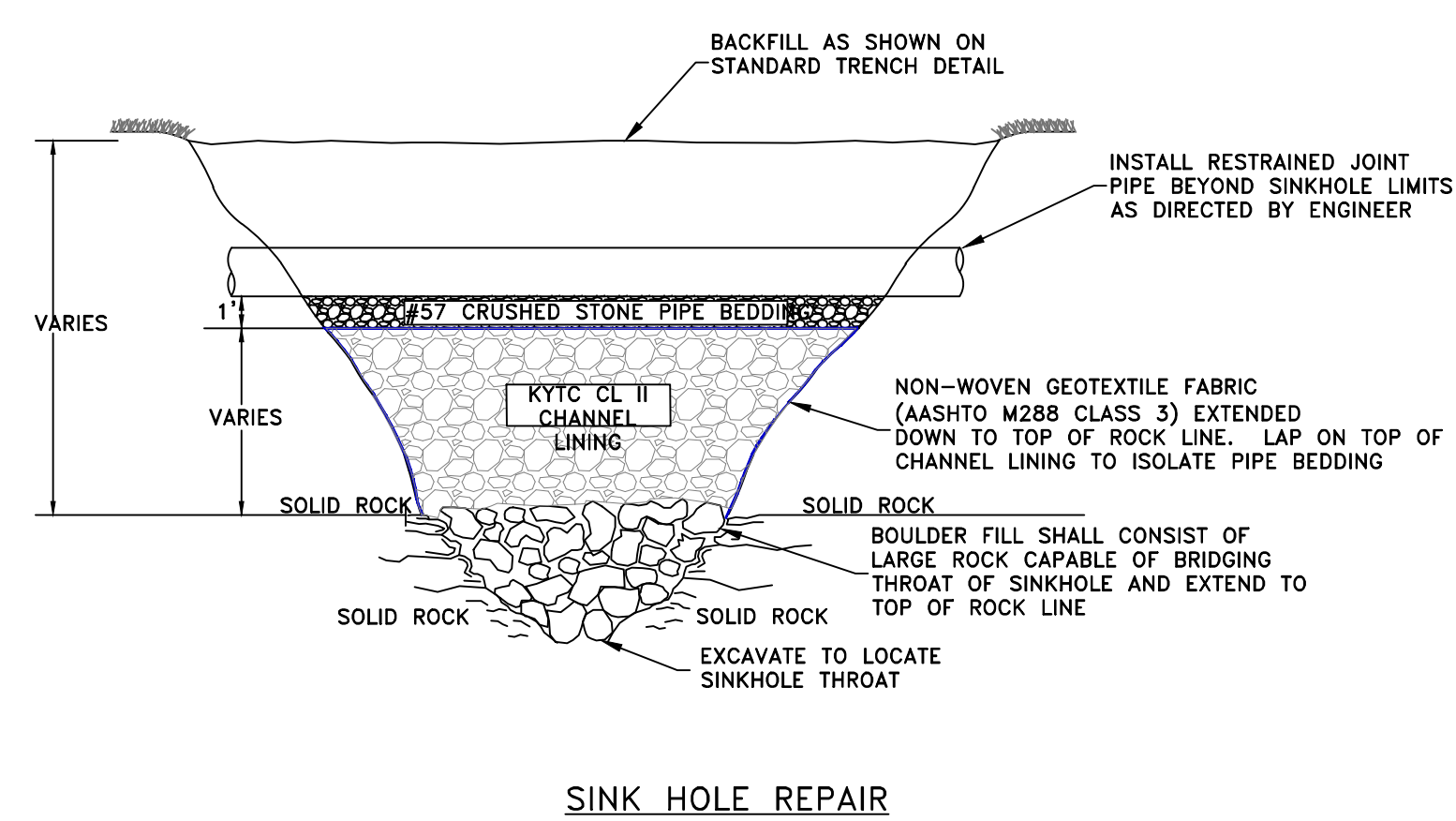
CHECKED: CRH

REVISIONS:

NO.: DATE:

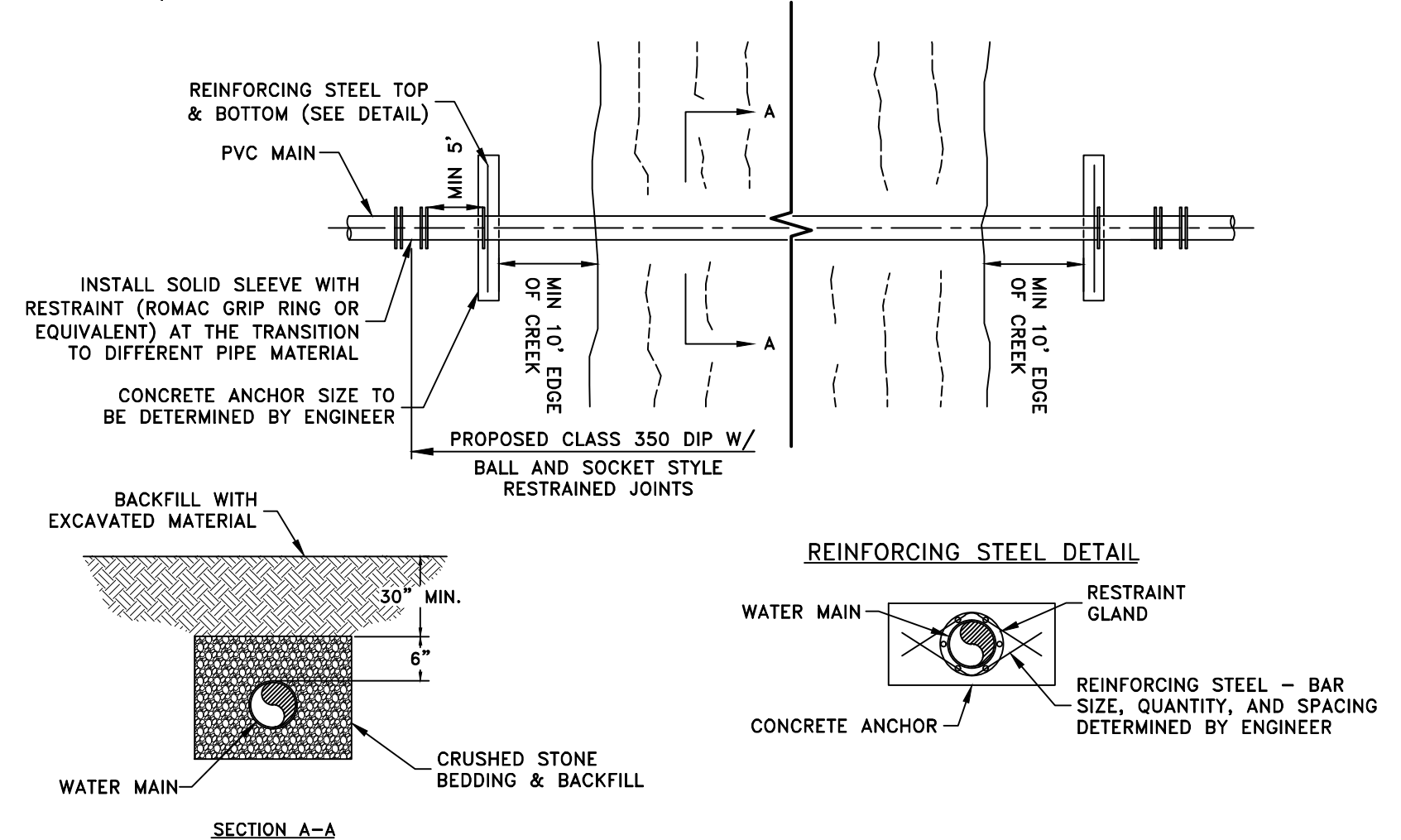
DRAWING:

WD2

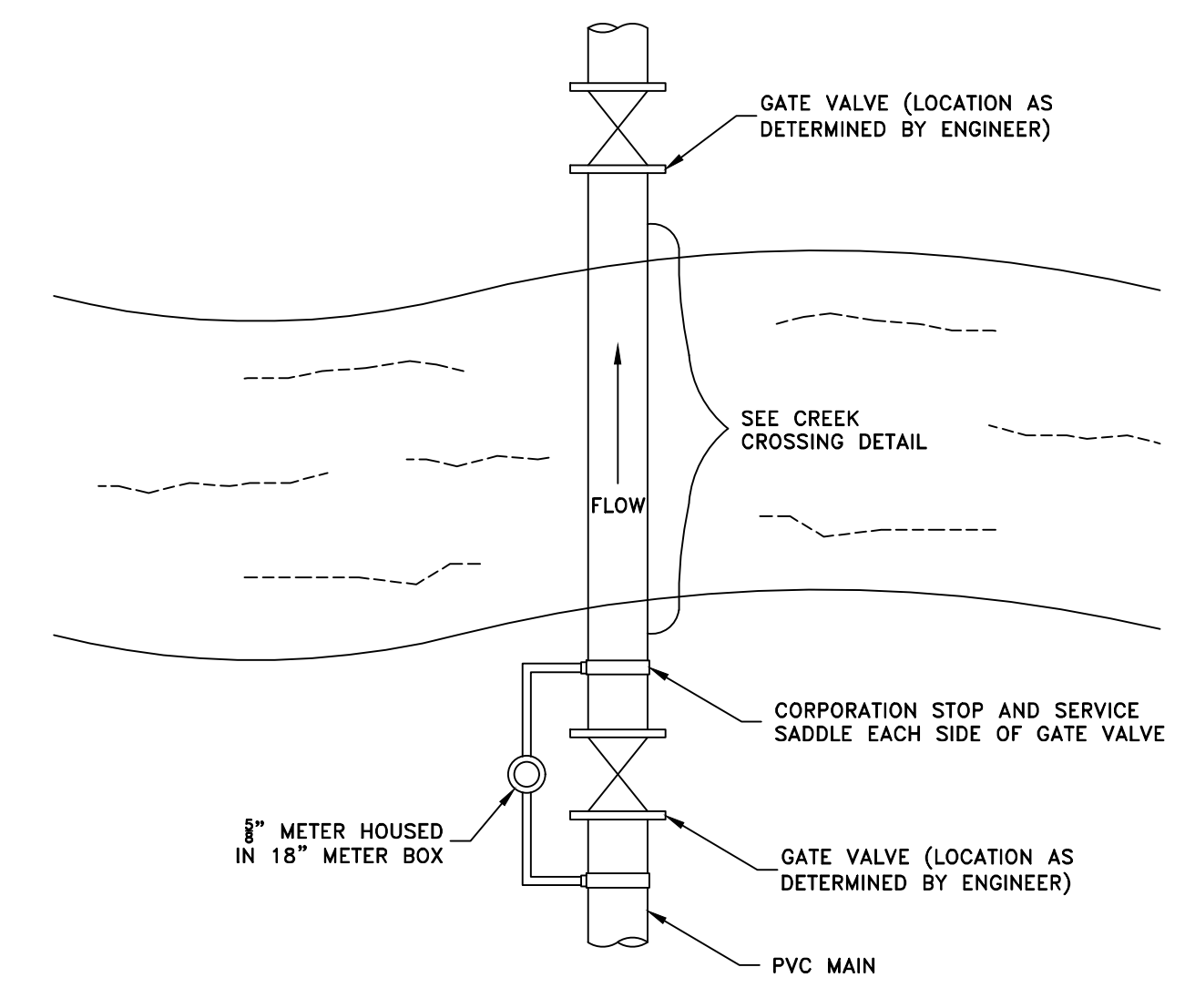


SINK HOLE REPAIR

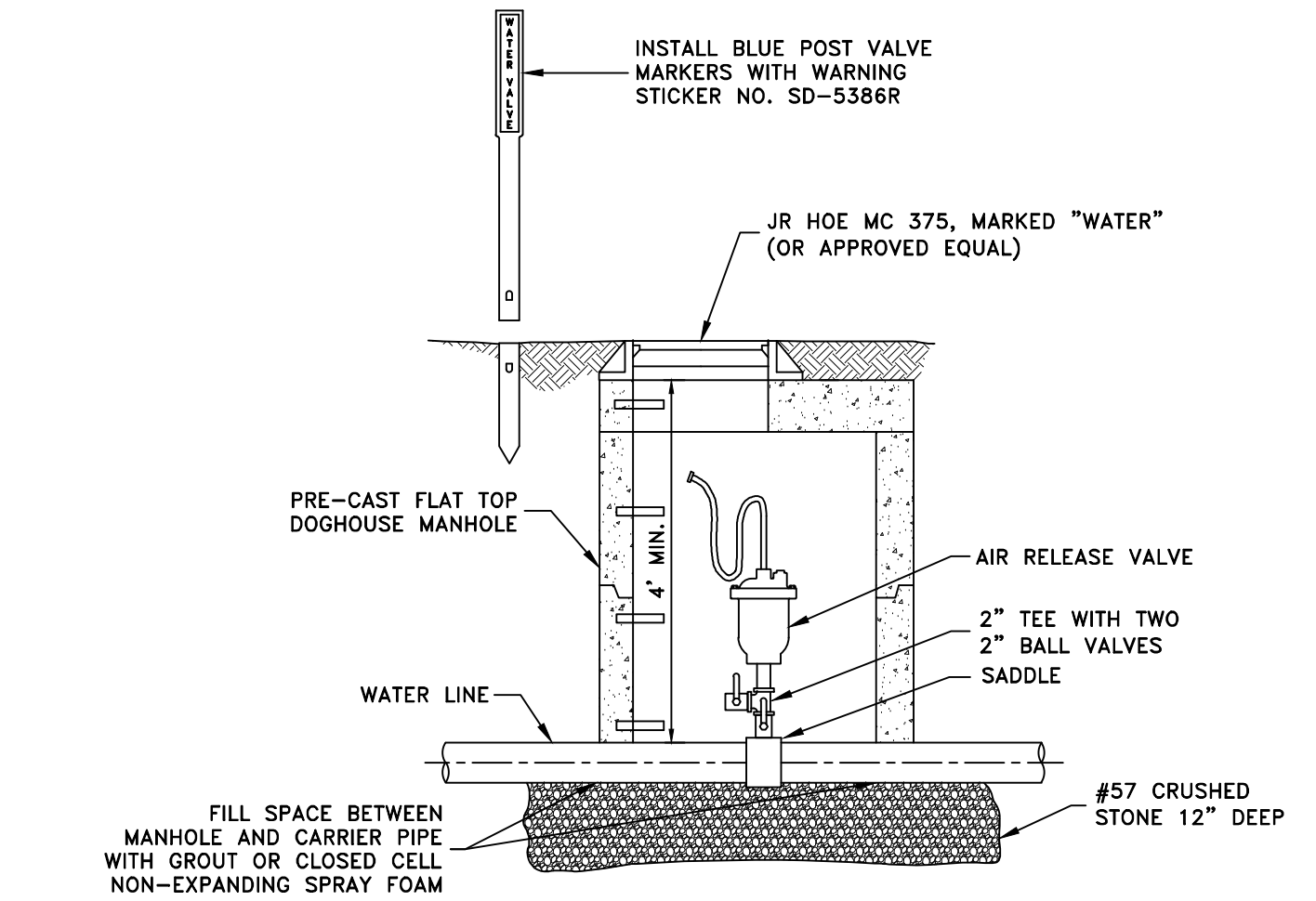
- NOTES:
- 1.) CREEK CROSSING AS SHOWN SHALL BE CONSTRUCTED ACROSS ALL MAJOR STREAMS AS INSTRUCTED BY ENGINEER.
 - 2.) CONSTRUCTION OF FITTINGS AND ANCHORS SHALL BE SYMMETRICAL ON EACH SIDE.
 - 3.) GATE VALVES ARE REQUIRED ON EACH SIDE OF THE CREEK CROSSING.
 - 4.) FOR CHANNELS GREATER THAN 15' IN WIDTH, A LEAK DETECTION STATION SHALL BE INSTALLED ON ONE SIDE OF THE STREAM (PER WSB LEAK DETECTION DETAIL). PLACEMENT TO BE DETERMINED BY WSB.



TYPICAL CREEK CROSSING

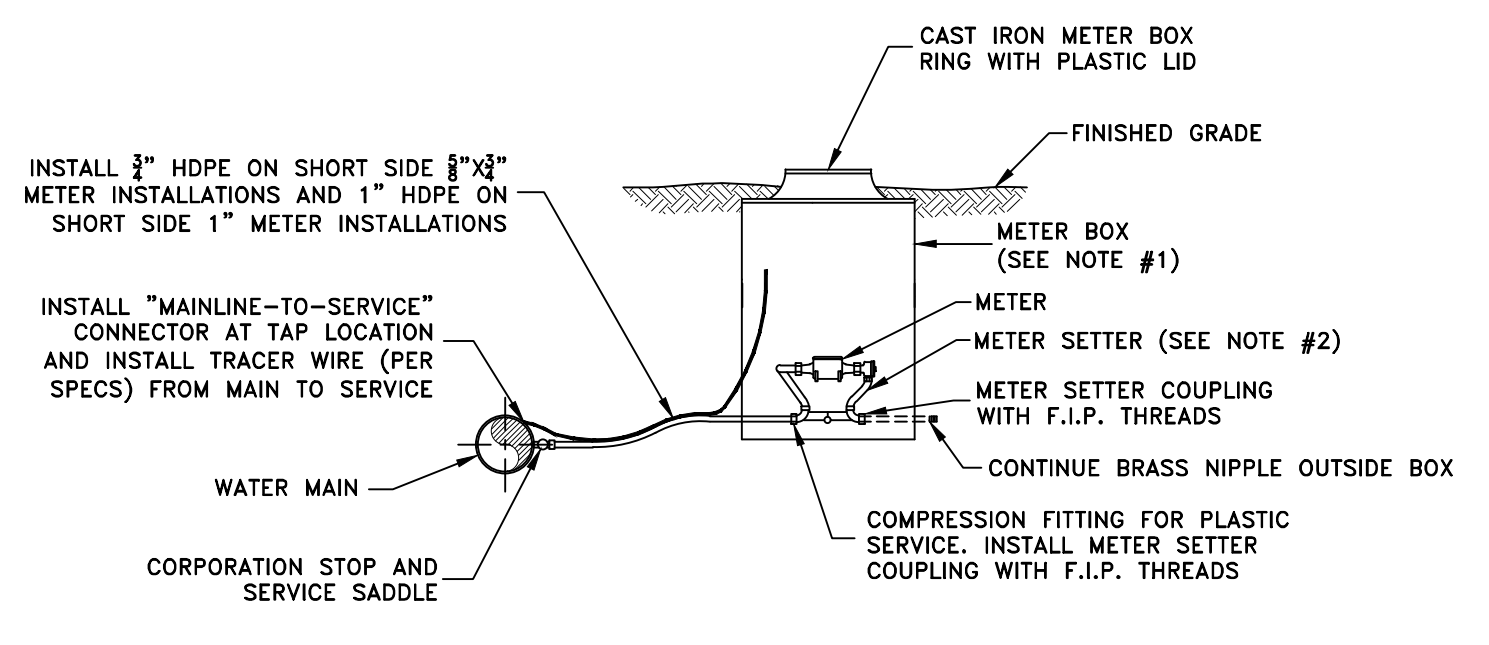


CREEK CROSSING LEAK DETECTION



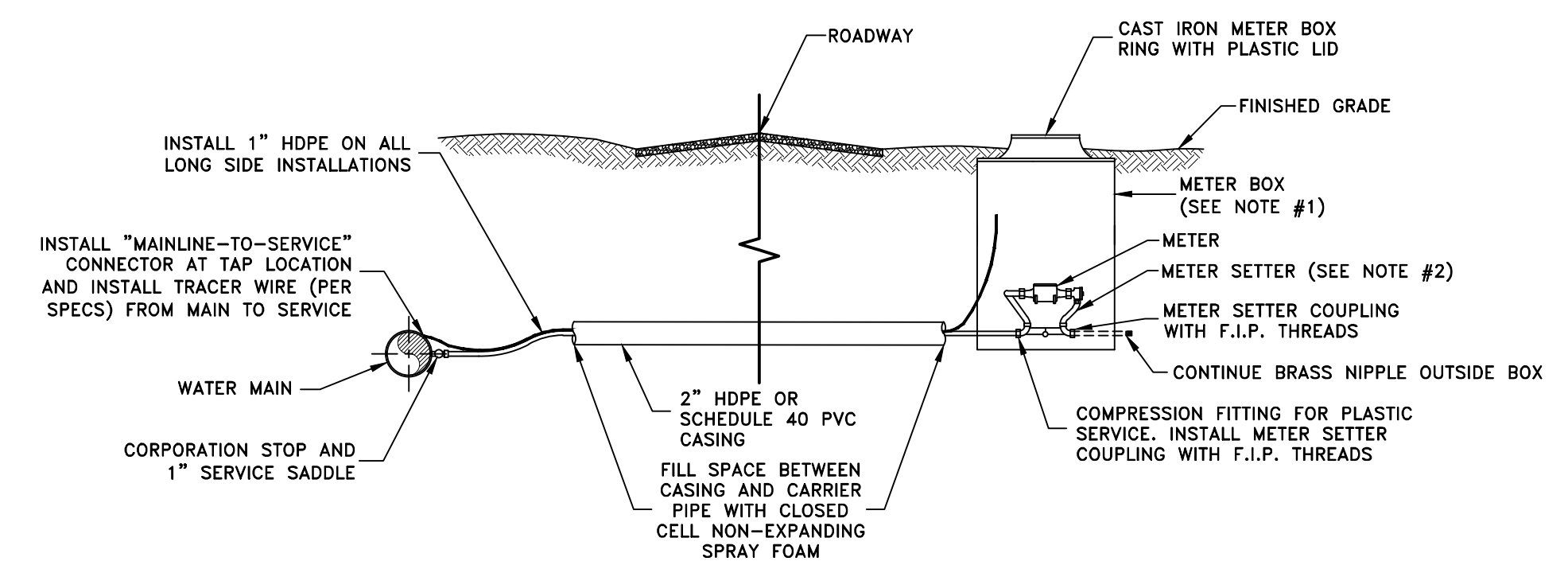
STANDARD AIR RELEASE STATION - WATER

- NOTES:
- 1.) ALL 3/4" & 1" METERS SHALL BE HOUSED IN AN 18" METER BOX. ALL 1" METERS SHALL BE HOUSED IN A 20" METER BOX.
 - 2.) FOR METER ASSEMBLIES REQUIRING PRESSURE REGULATORS, A TANDEM METER SETTER WILL BE REQUIRED. REFER TO STANDARD SPECIFICATIONS FOR REGULATOR AND TANDEM SETTER MODEL NUMBERS.
 - 3.) ON ROAD CROSSING SERVICE CONNECTIONS, REFER TO "LONG SIDE" SERVICE DETAIL.



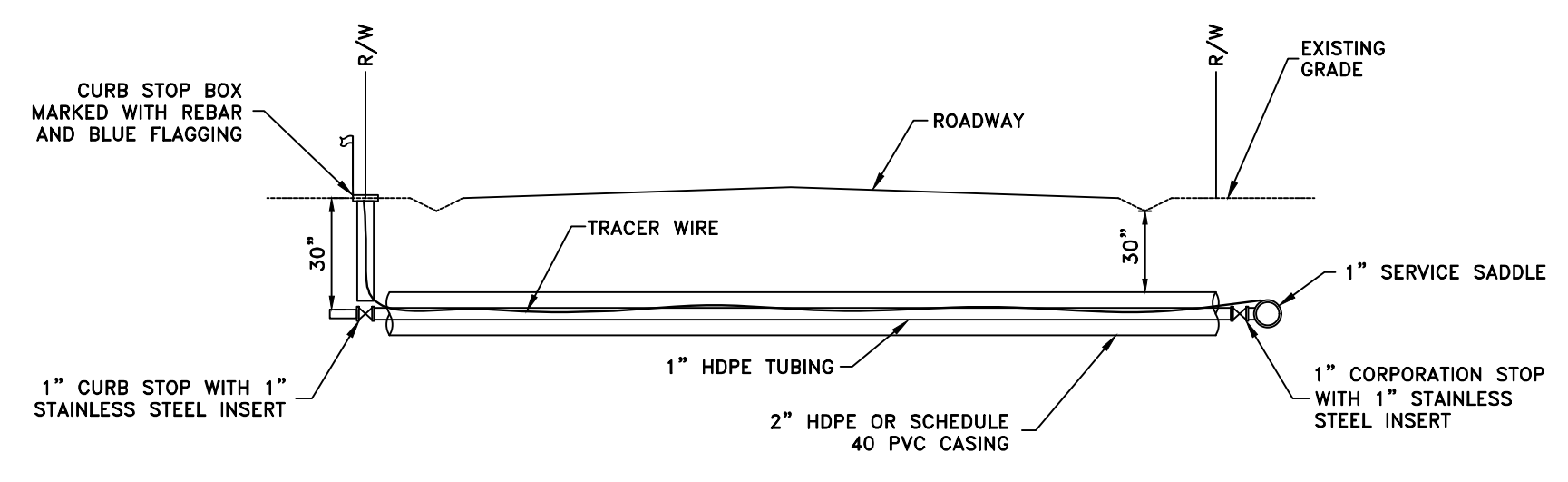
TYPICAL METER SETTING FOR "SHORT SIDE" 3/4" & 1" SERVICES

- NOTES:
- 1.) ALL 3/4" & 1" METERS SHALL BE HOUSED IN AN 18" METER BOX. ALL 1" METERS SHALL BE HOUSED IN A 20" METER BOX.
 - 2.) FOR METER ASSEMBLIES REQUIRING PRESSURE REGULATORS, A TANDEM METER SETTER WILL BE REQUIRED. REFER TO STANDARD SPECIFICATIONS FOR REGULATOR AND TANDEM SETTER MODEL NUMBERS.
 - 3.) ON ROAD CROSSING SERVICE CONNECTIONS, REFER TO "LONG SIDE" SERVICE DETAIL.



TYPICAL METER SETTING FOR "LONG SIDE" 3/4" & 1" SERVICES

- NOTES:
- 1.) NO TAPS SHALL BE MADE ON PRESSURIZED MAINS.
 - 2.) CURB STOP INSTALLED ON PROPERTY CORNERS AS DIRECTED BY WSB.
 - 3.) CASING SHALL EXTEND THE ENTIRE RIGHT OF WAY SHORTENED AS NEEDED FOR CURB STOP.
 - 4.) ALL CROSSINGS SHALL BE BACKFILLED WITH CRUSHED STONE.
 - 5.) IF MULTIPLE SERVICE CONNECTIONS ARE NEEDED, LARGER CASING MAY BE REQUIRED.
 - 6.) ALL FITTINGS SHALL BE INSTALLED WITH TEFLON TAPE OR JOINT COMPOUND.
 - 6.) ALL SHOWN MATERIAL SHALL BE SUPPLIED BY THE DEVELOPER.



SERVICE LINE CROSSING DETAIL FOR SUBDIVISION